

TGM 18.290

4x4

□ Engine

MAN D0836, Euro 5 standard engine.
Exhaust Gas Recirculation with catalyst exhaust.
(No additive or DPD regeneration required).
Electronically controlled Common Rail fuel injection.
6-cylinder in-line engine, 6871 cc.
One-piece, 24 valve cylinder head.
Power: 290Hp / 213kW at 2300rpm.
Torque: 1150Nm at 1200 to 1750rpm.
MAN Engine Valve Brake (EVB).
Twin turbocharging & intercooling.
Electronically speed limited.
1-cyl. Compressor, 238cc.
Clutch 395mm diameter.
Cruise control.
(Option of 340Hp/250kW engine - 1250Nm of torque).

□ Intake / Exhaust System

Raised air intake behind cab with pre-cleaner.
Down-swept exhaust muffler on R/H of chassis.

□ Gearbox

Automated ZF transmission 12-AS12100D.
12 forward speeds with 2 reverse ratios.
Automated constant-mesh gearbox with manual over-ride using fingertip gearchange control.
"M" setting for precise low speed manoeuvring in fwd & rev.
"X" Setting for off-road gearchange logic.
Optional Live Drive PTO.

□ Front Axle / Front Springs / Front Axle Load

MAN VP-09 permanently driven hub reduction front axle rated at 9000kg with differential lock.
Parabolic front springs rated at 7100kg with stabiliser.
Sealed for life hub units.

□ Rear Axle / Rear Springs / Rear Axle Load

MAN HP-1333 Hub Reduction axle rated at 13000kg with stabiliser.
Differential lock.
Dual tyres fitted to rear axle.
Parabolic springs rated at 11500kg.
Standard axle ratio of 4.83.
Sealed for life hub units.

□ Transfer Case

MAN G102 2 speed Transfer Case.
Low Ratio 1.6.
High Ratio 0.98.

Option: Dis-engageable drive to front axle.

□ Rims

Steel disc wheels 10-hole 8.25 x 22.5.
295/80R 22.5 tyres.
One spare wheel and tyre.
Wheel changing tools supplied.

□ Fuel Tank

300L steel fuel tank on R/H of chassis.

□ Frame

Ladder frame chassis with tubular cross members riveted & bolted.
High strength QsTe500 steel.
Flat-topped chassis rails for easy subframe mounting.
Chassis rail dimensions: 220mm x 70mm x 8mm.
Steel front bumper with protective grille for lights.



EURO 5
With EGR

□ Steering

Fully adjustable steering wheel for height & inclination, pneumatic lock.
Multifunction steering wheel integrates with radio/CD player, cruise control & electronic dash display functions.

□ Cab Exterior

Cab "C" (Day) 1620mm long, 2240mm wide.
Forward control, all steel with extensive anti-corrosion treatment and optimal noise and heat insulation.
Rear-view mirrors heated and electronically adjustable.
Entry lighting for driver and co-driver.
Safety tested to ECE-R29.
Tinted laminated windscreen.
Tinted electric door windows.
Tinted external sunvisor.
Central locking.
Optional: Sleeper cab (L)
Sleeper cab with high roof (LX).
Crew cab with 4 doors (D).

□ Cab Interior

Air suspended high comfort driver seat with lumbar support, arm rests & heating. Integrated seatbelt.
Fixed passenger seat with longitudinal & backrest adjustment.
CFC-free air conditioning system.
Sunblinds to windscreen & both doors.
Storage box between seats, stowage on rear cab wall.
Electric windows.
MAN radio / CD player.

□ Instruments

Electronic dash displaying vehicle messages and status reports in a full menu system.

□ 24 Volt Electrical System

Battery main switch, mechanical.
2 batteries 12V 88Ah.
Alternator 28V 80A 2240W.

□ Brake System

MAN electronic brake system (EBS).
Anti-lock braking system (ABS).
Drum brakes on front and rear axles.
BrakeMatic switch on dash to operate EVB with the brake pedal, when loaded.



Specification Data

GVM Max: 18,000kg • GCM Max: 33,000kg

| Weights kg: | Day Cab | | |
|----------------|---------|------|-------|
| Wheelbase (mm) | Front | Rear | Total |
| 3600 | 4005 | 1990 | 5995 |
| 4500 | 4030 | 2075 | 6105 |

| Weights kg: | Sleeper Cab | | |
|----------------|-------------|------|-------|
| Wheelbase (mm) | Front | Rear | Total |
| 3600 | 4175 | 1990 | 6165 |
| 4500 | 4200 | 2075 | 6275 |

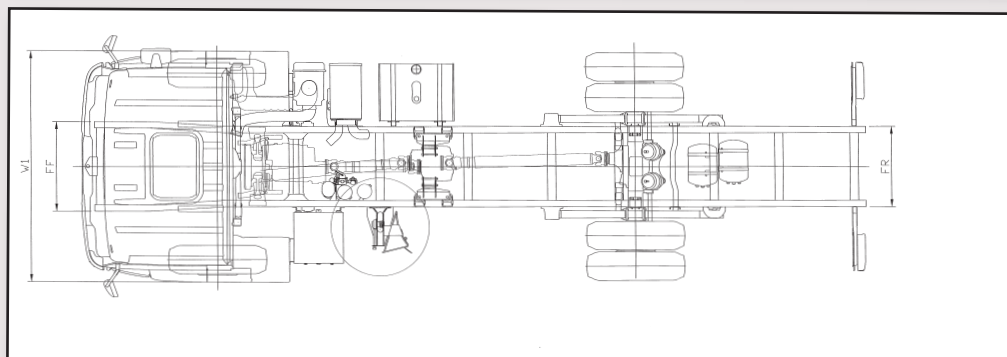
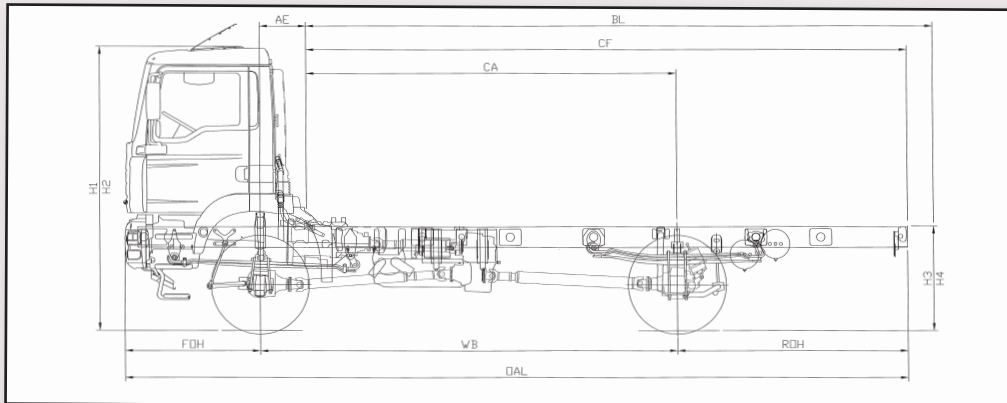
Note: Cab/chassis weight calculated with spare tyre and wheel, toolkit and 100ltrs fuel.

| Turning Circle - C Cab/L Cab | | |
|------------------------------|------|------|
| Wheelbase | 3600 | 4500 |
| (Kerb to Kerb m) | 13.3 | 16.2 |



| Dimensions (mm) | | | | | | | (Max) | Empty | Loaded | Empty | Loaded | | | |
|-----------------|------|------|------|-----|------|------|-------|-------|--------|-------|--------|------|-----|-----|
| Day Cab (C Cab) | FOH | ROH | OAL | AE | CA | CF | BL | W1 | H1 | H2 | H3 | H4 | FF | FR |
| WB-3600 | 1450 | 1775 | 6825 | 520 | 3080 | 4855 | 5240 | 2492 | 3122 | 3032 | 1247 | 1110 | 966 | 866 |
| WB-4500 | 1450 | 2325 | 8275 | 520 | 3980 | 6305 | 6680 | 2492 | 3122 | 3032 | 1247 | 1110 | 966 | 866 |

| Sleeper Cab (L Cab) | | | | | | | | | | | | | | |
|---------------------|------|------|------|-----|------|------|------|------|------|------|------|------|-----|-----|
| WB-3600 | 1450 | 1775 | 6825 | 920 | 2680 | 4455 | 4840 | 2492 | 3122 | 3032 | 1247 | 1110 | 966 | 866 |
| WB-4500 | 1450 | 2325 | 8275 | 920 | 3580 | 5905 | 6280 | 2492 | 3122 | 3032 | 1247 | 1110 | 966 | 866 |



1. All above dimensions are subject to proper weight distribution.
2. State and Federal regulations over ride information supplied on this brochure.
3. Vehicle depicted in this specification sheet is for illustration purposes only.
4. Maximum BL (ROH) is calculated using 60% of WB or 3.7m whichever is less (ensure sufficient chassis rail is available to comply with State regulations).
5. Specifications are subject to change without notice. Copyright © 2010 MAN Automotive Imports Pty Ltd.



MAN Automotive Imports Pty Ltd

72 Formation Street, Wacol, Qld 4076 • PO Box 301, Goodna, QLD 4300

Telephone: 07 3271 7777 • Facsimile: 07 3271 2720 • www.man.com.au